

---

# RCMB300-series

AC/DC sensitive residual current monitoring modules  
with an integrated measuring current transformer





### Device features

- Continuous residual current monitoring in compliance with DGVV Vorschrift 3 (German Social Accident Insurance Regulation 3)
- Easy DIN rail or screw mounting
- RS-485 interface with Modbus RTU (reading out measured values/setting parameters)
- Integrated switching outputs with two changeover contacts K1 and K2 (galvanically isolated)
- Frequency range DC...100 kHz
- Combined test and reset button
- Multicolour LED indicating operation, exceeded response value, disturbances and status messages
- AC/DC sensitive type B measured value acquisition acc. to IEC 60755
- AC/DC sensitive type B+ measured value acquisition acc. to VDE 0664-400
- Separate evaluation of the AC and DC components as well as the r.m.s. value of the residual current possible
- Exchangeable electronic enclosure without mechanical separation of the primary conductors
- Extension/retrofitting or modification of functionalities in case of changed monitoring requirements
- Insensitive to load currents due to full magnetic shield (CTBC...P only)
- Connection monitoring of the measuring current transformer with cyclical test current
- Use of the RCMB301 for all CTBC... measuring current transformer sizes
- Supply voltage DC 24 V

### Intended use

The residual current monitoring modules of the RCMB300 series are intended for measuring AC and DC fault currents in earthed systems (TN and TT systems). The modules are able to measure residual currents up to  $I_{\Delta} = 20$  A in a frequency range of DC...100 kHz.

Any other use than that described in this document is regarded as improper.

### Functional description

#### Residual current $I_{\Delta n}$

The residual current monitoring module measures both AC and DC currents. Tripping takes place based on the determined r.m.s. value. When the response value set for  $I_{\Delta n2}$  (alarm) is exceeded by a residual current, the output relay K2 switches an undervoltage release (recommended) or a shunt release (N/O operation) within the required tripping time and the LED lights up red. The individual components of the residual current (AC component, DC component) and the r.m.s. value can be evaluated separately with the RCMB module. In addition, it is possible to set the main alarm and prewarning for the individual components and assign them to the two relays. The response values for the different components should be within the same measuring range.

If the fault memory behaviour of relay K1 or K2 is activated, the device must be reset by pressing the "T" button. The RCMB module automatically checks the measuring current transformer and the function of the residual current measurement cyclically.

#### Offset calibration

When the device has been installed, an offset calibration must first be carried out. After successful offset calibration, the multicolour LED lights up green and the device is ready for operation.

#### Test

Press the "T" button or the external test button for 5...10 s to start the manual self test of the device.

#### Reset

Press the "T" button or the external test button for 1.5...5 s to reset the device.

#### RS-485 interface

The RS-485 interface enables both reading out the measured values and setting the parameters of the device via Modbus RTU. Furthermore, a test or a reset can be triggered via the bus.

**Variants**

Electronic modules

- **RCMB301**  
Type B modular residual current module acc. to IEC 60755

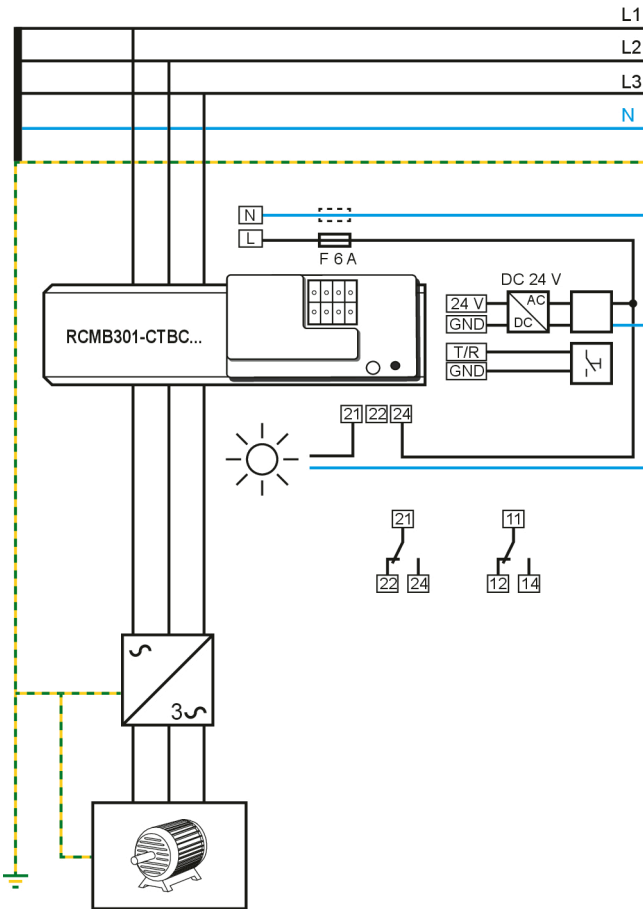
Measuring current transformers (P = shielded)

- **CTBC20(P)**  
Measuring current transformer, internal diameter 20 mm
- **CTBC35(P)**  
Measuring current transformer, internal diameter 35 mm
- **CTBC60(P)**  
Measuring current transformer, internal diameter 60 mm
- **CTBC120(P)**  
Measuring current transformer, internal diameter 120 mm
- **CTBC210(P)**  
Measuring current transformer, internal diameter 210 mm

**Device view RCMB30...**

1	–	Not used
2	–	
3	A	RS-485 interface
4	B	
5	X1	Terminals for cable bridge for connection of the integrated terminating resistor of the RS-485 interface
6	X2	
7	GND	Connection external test/reset
8	T/R	
9	GND	Supply voltage $U_s$
10	24 V	
11	11, 12, 14	Relay K1 (prewarning)
12	21, 22, 24	Relay K2 (main alarm)
13	ON/AL	Combined LED; see <a href="#">System states: LED and output relays</a>
14	T	Test and reset button "T"

**Wiring diagram**



*Legend*      11, 12, 14 = Relay for prewarning      21, 22, 24 = Relay for main alarm      □ = surge protection device

**i** The use of a type 2 surge protection device (SPD) is mandatory due to possible impulse voltages and in order to comply with normative requirements.

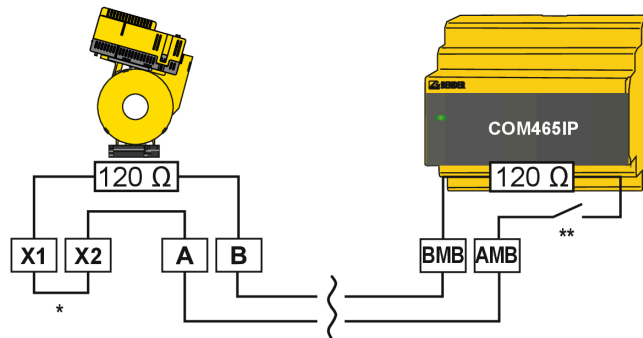
The surge protection device must be connected upstream of the power supply unit on the supply side.

Features of the surge protection device:

- Nominal discharge current  $I_n$  (8/20  $\mu$ s): 20 kA
- Response time: 25 ns
- Two-stage: 1 varistor + 1 spark gap

Alternatively, the power supply unit must be connected to a CAT II supply without a surge protection device.

**Connection RS-485 interface (Modbus RTU)**



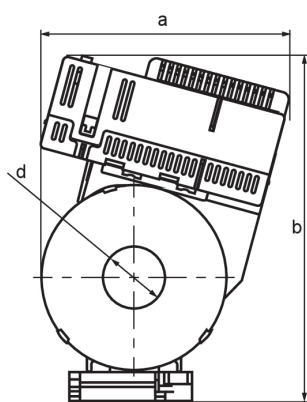
- \* The internal 120 Ω terminating resistor can be connected by using the **wire jumper**.
- \*\* The internal 120 Ω terminating resistor can be connected by means of the **DIP switch**.

**System states: LED and output relays**

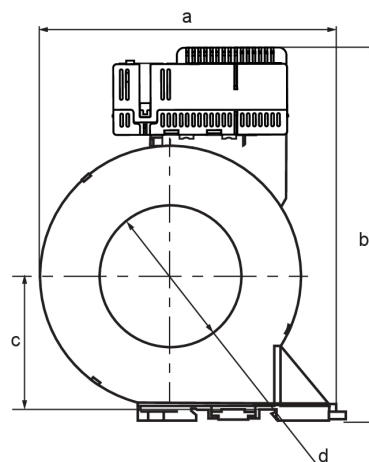
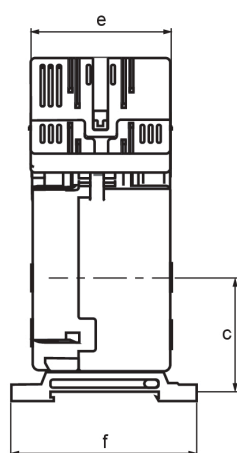
The LED indicates the system state by means of colours and lighting/flashing. The changeover contacts of relay outputs K1 and K2 have defined switching positions for each system state.

System state	LED		Notes	Changeover contact	
	ON (green)	Alarm (red)		K1	K2
Device switched off	off	off	Device is de-energised, no monitoring, no monitoring function	de-energised	de-energised
Normal operating state	lights	off	The device is supplied with the specified voltage and monitors the primary circuit. No residual current flows which would lead to tripping.	energised	energised
Prewarning	lights	flashes briefly	The device is supplied with the specified voltage and monitors the primary circuit. A fault current flows which exceeds the set limit of the prewarning.	de-energised	energised
Main alarm	off	lights	The device is supplied with the specified voltage and monitors the primary circuit. A fault current flows which exceeds the set limit of the main alarm.	de-energised	de-energised
Device error	off	flashes slowly	The device is supplied with the specified voltage and monitors the primary circuit. An error is detected by the periodic self tests.	de-energised	de-energised

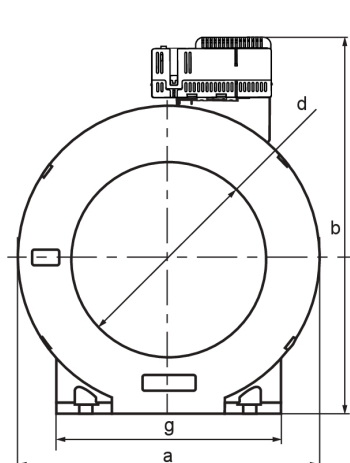
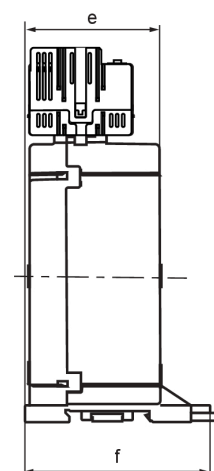
## Dimension diagrams



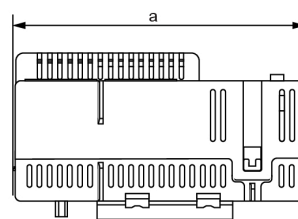
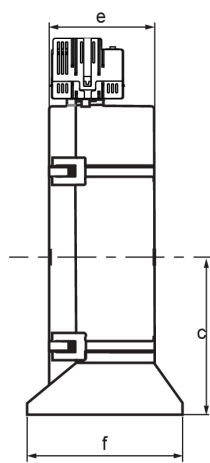
CTBC20(P) / CTBC35(P)



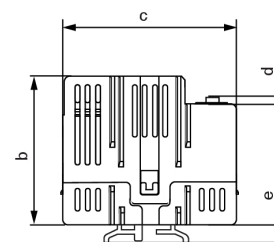
CTBC60(P)



CTBC120(P) / CTBC210(P)



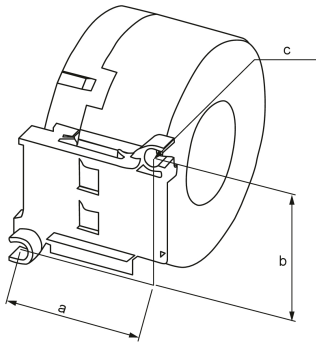
RCMB301



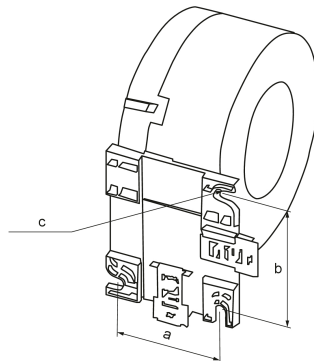
Type	a	b	c	d	e	f	g
RCMB301-CTBC20(P)	81	112	37	∅ 20	46	60	
RCMB301-CTBC35(P)	97	130	47	∅ 35	49	61	
RCMB301-CTBC60(P)	126	158	57	∅ 60	56	78	
RCMB301-CTBC120(P)	188	232	96	∅ 120	65	96	139
RCMB301-CTBC210(P)	302	346	153	∅ 210	67	113	277
RCMB301	74	37	44	2	4.6		

all dimensions in mm, tolerance  $\pm 0.5$  mm

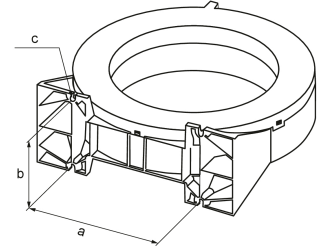
**Mountings**



CTBC20(P) / CTBC35(P)



CTBC60(P)



CTBC120(P) / CTBC210(P)

Type	a	b	c
CTBC20(P)	31.4	49	2 x ø 5.5
CTBC35(P)	49.8	49	2 x ø 5.5
CTBC60(P)	56	66	2 x ø 6.5
CTBC120(P)	103	81	4 x ø 6.5
CTBC210(P)	180	98	4 x ø 6.5

*all dimensions in mm, tolerance ±0.5 mm*

**Example for the composition of an RCMB module**



Evaluation unit: RCMB301

Measuring current transformer: CTBC35

Final RCMB module

**Installation instructions for measuring current transformers**



**CAUTION**

**Device damage due to high induction currents!**

High currents can be induced into the conductor loop due to the AC/DC sensitive measurement technology used. Do not route protective conductors and low-resistance conductor loops through the measuring current transformer!

**Device damage due to interference pulses!**

The connecting cable (supply, analogue interface...) must not be routed directly past the current transformer core.

**Risk of injury due to accessible live conductors!**

The measuring current transformer must be connected to the corresponding evaluator before the first use and before commissioning of the monitored system.



**Application in railway vehicles / DIN EN 45545-2:2016**

If the distance to adjacent components that do not meet the requirements of DIN EN 45545-2 Table 2 is < 20 mm horizontally or < 200 mm vertically, they are to be considered grouped.

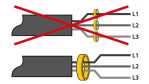
Refer to DIN EN 45545-2 chapter 4.3 Grouping rules.



Do not route any shielded cables through the measuring current transformer!

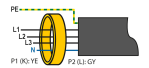
**Live conductors**

Ensure that **all live cables/conductors** are routed through the measuring current transformer.



**Protective conductors**

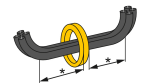
**Never route an existing protective conductor** through the measuring current transformer. The cable diameter should not exceed half the diameter of the measuring current transformer.



**Bending of cables**

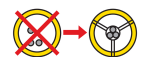
The cables/conductors should only be bent at a certain distance from the measuring current transformer.

\* Distance to the 90° angle of the conductors: 2 x outer diameter of the measuring current transformer.



**Route cables in the centre**

The cables/conductors must be centred in the middle of the measuring current transformer.





**Technical data**

(\*) = factory setting

**Insulation coordination acc. to IEC 60664-1/IEC 60664-3**
**Definitions**

Measuring circuit (IC1)	Primary conductors routed through the current transformer
Secondary (IC2)	Terminal block 1 (24 V, GND, T/R, GND, A, B, X1, X2)
Control circuit 1 (IC3)	Terminal block 2 (11, 12, 14)
Control circuit 2 (IC4)	Terminal block 3 (21, 22, 24)
Rated insulation voltage	800 V
Overvoltage category	III
Pollution degree	2
Operating altitude	≤ 2000 m AMSL

**Rated impulse voltage**

IC1/(IC2-IC4)	8 kV
IC2/(IC3-IC4)	4 kV
IC3/IC4	4 kV

**Rated insulation voltage**

IC1/(IC2-IC4)	800 V
IC2/(IC3-IC4)	250 V
IC3/IC4	250 V

**Safe isolation (reinforced insulation) between**

IC2/(IC3-IC4)	300 V
---------------	-------

**Basic insulation between**

IC1/(IC2-IC4)	800 V
IC3/IC4	300 V

**Voltage tests (routine test) acc. to IEC 61010-1**

IC2/(IC3-IC4)	AC 2.2 kV
IC3/IC4	AC 2.2 kV

**Supply voltage**

Supply voltage $U_s$	DC 24 V
Operating range of $U_s$	±20 %
Ripple $U_s$	≤ 1 %
Power consumption	≤ 2.5 W
Inrush current	1.7 A for 1 ms

**Measuring circuit**

Internal diameter measuring current transformer see "Dimension diagrams", Page 6

Characteristics according to IEC 62020 AC/DC sensitive, type B and IEC/TR 60755

 Response value  $I_{\Delta n}$  30 mA...3 A (freely configurable), (30 mA)\*

 Prewarning 50...100 %  $I_{\Delta n}$  (freely configurable), (60 %)\*

 Rated current  $I_n$ 

CTBC20 at $I_{\Delta n} = 30$ mA	40 A
CTBC20 bei $I_{\Delta n} = 300$ mA	63 A
CTBC20P	80 A
CTBC35 at $I_{\Delta n} = 30$ mA	80 A
CTBC35 at $I_{\Delta n} = 300$ mA	125 A
CTBC35P	160 A
CTBC60 at $I_{\Delta n} = 30$ mA	160 A
CTBC60 at $I_{\Delta n} = 300$ mA	250 A
CTBC60P	320 A
CTBC120 at $I_{\Delta n} = 100$ mA	330 A
CTBC120P at $I_{\Delta n} = 100$ mA	630 A
CTBC210 at $I_{\Delta n} = 300$ mA	630 A
CTBC210P at $I_{\Delta n} = 100$ mA	630 A
CTBC210P at $I_{\Delta n} = 300$ mA	1000 A

Operating uncertainty ±17.5 %

Relative uncertainty 0...-35 %

Test winding yes

**Possible response values (to be set on the evaluator)**

CTBC20, CTBC20P	10...500 mA
CTBC35, CTBC35P, CTUBC60, CTBC60P	30 mA...10 A
CTBC120P, CTBC210P	100 mA...10 A
CTBC120, CTBC210	300 mA...10 A

**Time response**

 Response delay  $t_{on}$  50 ms...60 min (freely configurable), (0 s)\*

 Start-up delay  $t$  0 s...60 min (freely configurable), (0 s)\*

 Delay on release  $t_{off}$  0 s...60 min (freely configurable)

 Operating time  $t_{ae}$ 

 at  $1 \times I_{\Delta n}$  ≤ 230 ms

 at  $2 \times I_{\Delta n}$  ≤ 180 ms

 at  $5 \times I_{\Delta n}$  ≤ 70 ms

 Response time  $t_{an} = t_{ae} + t_{on}$ 

 Recovery time  $t_b$  ≤ 1 s

## Indication

Multicolour LED	red/green, Refer to "System states: LED and output relays", Page 5
-----------------	--

## Inputs

Label	T/R, GND
Maximum length connecting cable	10 m

## Outputs

Number of changeover contacts	2
Relay mode	N/C principle or N/O principle, (freely configurable), (N/C principle)*
Switching outputs (K1, K2)	250 V, 5 A
Switching capacity	1500 VA / 144 W
Contact data acc. to IEC 60947-5-1	
Rated operational voltage AC	250 V/250 V
Utilisation category	AC-13/AC-14
Rated operational current AC	5 A/3 A
Rated operational current AC (for UL applications)	3 A/3 A
Rated operational voltage DC	220/110/24 V
Utilisation category	DC12
Rated operational current DC	0.1/0.2/1 A
Minimum current	10 mA at DC 5 V
Electrical endurance, number of cycles	10.000

## Environment/EMC

EMC	IEC 62020-01
Operating temperature	-25...70 °C

## Classification of climatic conditions acc. to IEC 60721

Stationary use (IEC 60721-3-3)	3K23
Transport (IEC 60721-3-2)	2K11
Long-term storage (IEC 60721-3-1)	1K22

## Classification of mechanical conditions acc. to IEC 60721

Stationary use (IEC 60721-3-3)	3M11
Transport (IEC 60721-3-2)	2M4
Long-term storage (IEC 60721-3-1)	1M12

## Connection

Required terminals are included in the scope of delivery.

Terminal block 1	
Manufacturer	Phoenix Contact
Type	DFMC 1,5/5-ST-3,5 BK
The connection conditions of the manufacturer apply.	
Connection properties	
rigid	0.2...1.5 mm <sup>2</sup> (AWG 24...16)
flexible	0.2...1.5 mm <sup>2</sup> (AWG 24...16)
with ferrules	0.25...0.75 mm <sup>2</sup> (AWG 24...19)
Terminal block 2, 3	
Manufacturer	Phoenix Contact
Type	FKCVW 2,5/3-ST-5,08
The connection conditions of the manufacturer apply.	
Connection properties	
rigid	0.2...2.5 mm <sup>2</sup> (AWG 24...13)
flexible	0.2...2.5 mm <sup>2</sup> (AWG 24...13)
with ferrules	0.25...2.5 mm <sup>2</sup> (AWG 24...13)

## Mounting CTBC...

Screw type	
CTBC20...60(P)	DIN EN ISO 7045 - M5
CTCB120...210(P)	DIN EN ISO 7045 - M6
Washer type	
CTBC20...60(P)	DIN EN ISO 7089/7090 - 5
CTCB120...210(P)	DIN EN ISO 7089/7090 - 6
Tightening torque	
CTBC20...35 (P)	0.6 Nm
CTCB60...210(P)	1 Nm

## Other

Operating mode	continuous operation
Mounting	any position
Degree of protection, internal components (DIN EN 60529)	IP40
Degree of protection, terminals (DIN EN 60529)	IP20
Flammability class	UL94 V-0
Software	D0579

## Weight

RCMB301	≤ 100 g
CTBC20	≤ 160 g
CTBC20P	≤ 220 g
CTBC35	≤ 240 g
CTBC35P	≤ 320 g
CTBC60	≤ 460 g
CTBC60P	≤ 620 g
CTBC120	≤ 1390 g
CTBC120P	≤ 1750 g
CTBC210	≤ 4220 g
CTBC210P	≤ 4870 g

## Standards and certifications



**Ordering details**
**Electronic modules**

Supply voltage	Variants	Type	Art.No.
DC 24 V (19.2...28.8 V)	Modbus RTU	RCMB301	B74043100

**Measuring current transformers**

Type	Description	Art. No.
CTBC20	Measuring current transformer, internal diameter 20 mm	B98120001
CTBC20P	Measuring current transformer shielded, internal diameter 20 mm	B98120002
CTBC35	Measuring current transformer, internal diameter 35 mm	B98120003
CTBC35P	Measuring current transformer shielded, internal diameter 35 mm	B98120004
CTBC60	Measuring current transformer, internal diameter 60 mm	B98120005
CTBC60P	Measuring current transformer shielded, internal diameter 60 mm	B98120006
CTBC120	Measuring current transformer, internal diameter 120 mm	B98120007
CTBC120P	Measuring current transformer shielded, internal diameter 120 mm	B98120020
CTBC210	Measuring current transformer, internal diameter 210 mm	B98120008
CTBC210P	Measuring current transformer shielded, internal diameter 210 mm	B98120021

**Accessories**

Description	Art. No.
USB to RS-485 interface converter	B95012045
Terminal set for RCMB301 module *	B74043124
Snap-on mounting for CTBC20 and CTBC20P *	B91080111
Snap-on mounting for CTBC35 and CTBC35P *	B91080112

\* Included in scope of delivery

**Suitable system components**

Description	Max. number of current transformers	Type	Art. No.
Voltage supply	4	STEP-PS/1 AC/24 DC/0.5	B94053110
	14	STEP-PS/1 AC/24 DC/1.75	B94053111
	34	STEP-PS/1 AC/24 DC/4.2	B94053112



**Bender GmbH & Co. KG**

Londorfer Straße 65  
35305 Grünberg  
Germany

Tel.: +49 6401 807-0  
info@bender.de  
www.bender.de



© Bender GmbH & Co. KG, Germany  
Subject to change!  
The specified standards take into account the  
edition valid until 06.2024 unless otherwise  
indicated.